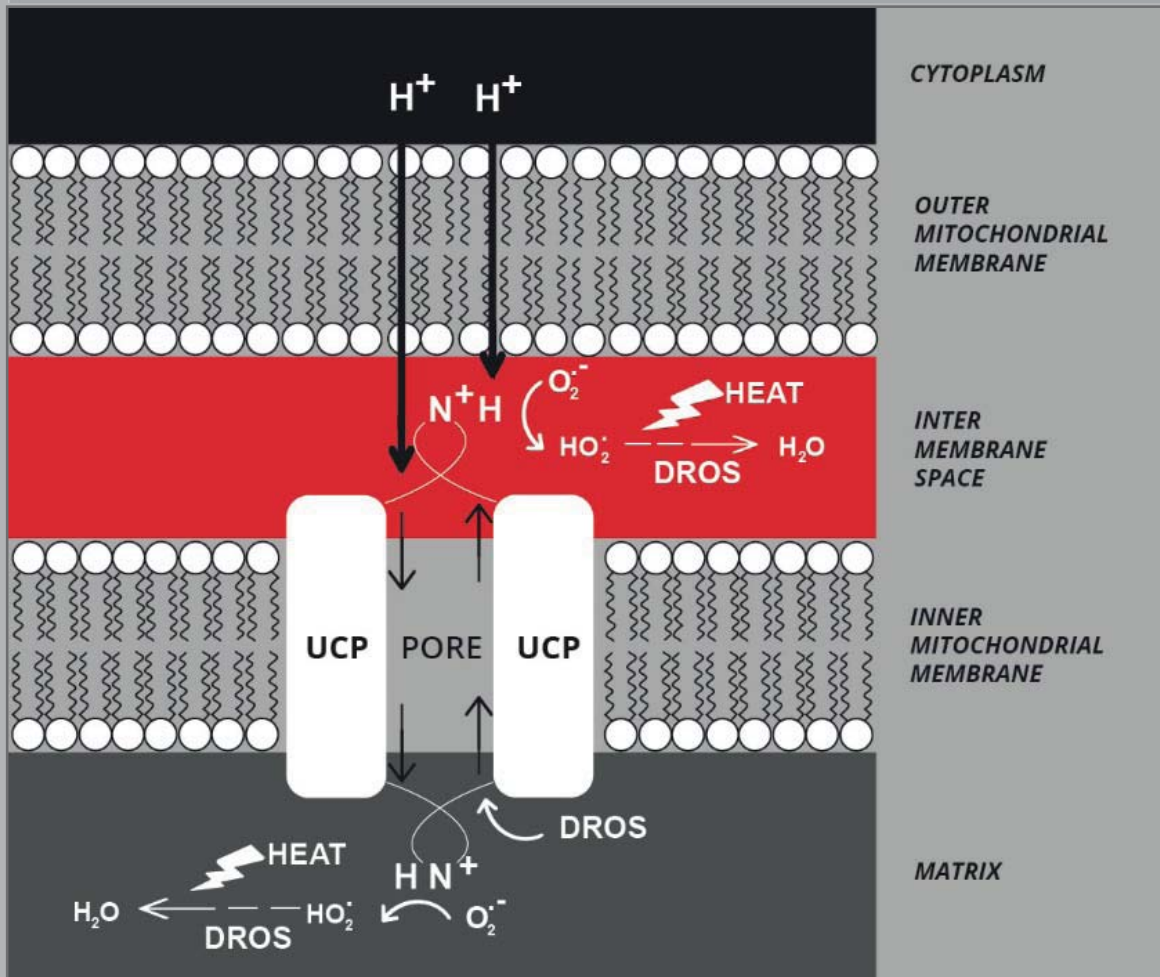


MURBURN SCHEME FOR MITOCHONDRIAL THERMOGENESIS



Editor-in-Chief

George N. Chaldakov

Department of Anatomy and
Cell Biology
Medical University of Varna (MUV)
BG-9002 Varna
Bulgaria
Tel.: 359 52 754 394
chaldakov@yahoo.com

Associate Editors

Danko D. Georgiev

Institute for Advanced Study
30 Vasilaki Papadopulu Str.
BG-9010 Varna
Bulgaria

Peter I. Ghenev

Department of General
and Clinical Pathology
MUV, BG-9002 Varna
Bulgaria

Wale A.R. Sulaiman

Department of Neurosurgery/
Spine Center
Ochsner Clinic Foundation
New Orleans, LA 70121, USA

Dimitër T. Tomov

Department of Health
Economics and Management
Faculty of Public Health
MUV, BG-9002 Varna
Bulgaria

Anton B. Tonchev

Department of Anatomy and
Cell Biology
MUV, BG-9002 Varna
Bulgaria

Stanislav Yanev

Department of Drug Toxicology
Institute of Neurobiology
Bulgarian Academy of Sciences
BG-1113 Sofia
Bulgaria

Editors

Luigi Aloe

Fondazione Iret
Tecnopolo R. Levi-Montalcini
Rome, Italy
luigi.aloe@cnr.it

Michail S. Davidoff

University Medical Center Eppendorf,
Hamburg, Germany
davidoff@uke.uni-hamburg.de

Krikor Dikranian

Department of Anatomy and
Neurobiology
Washington University in St. Louis
St. Louis, MO, USA
kdikrani@pcg.wustl.edu

Krassimir Ivanov

Rector
Medical University, Varna, Bulgaria
kivanov@abv.bg

Ronald Mathison

Department of Physiology
and Biophysics
The Faculty of Medicine
The University of Calgary
Calgary, Alberta
Canada
rmathiso@acs.ucalgary.ca

Denys Wheatley

BioMedES UK
Aberdeenshire, UK
3232dnwd@gmail.com

Hiroshi Yamamoto

Department of Biochemistry
and Molecular Vascular Biology
Graduate School of Medical Science
Kanazawa University
Kanazawa, Japan
yamamoto@med.kanazawa-u.ac.jp

Editorial Board

Jerzy Beltowski (Lublin, Poland)

Gheorghe Benga (Cluj-Napoca, Romania)

Trifon Chervenkov (Varna, Bulgaria)

Marco Fiore (Rome, Italy)

Takashi Fujiwara (Hiroshima, Japan)

Rosa Gomariz (Madrid, Spain)

Rama Gopalan (Chennai, India)

Bhanu Jena (Detroit, MI, USA)

Anna Kadar (Budapest, Hungary)

Peirong Lu (Suzhou, China)

Stephen Manning (Lyndon, West Bromwich, UK)

Jiradej Manosroi (Chiang Mai, Thailand)

Arto Palkama (Helsinki, Finland)

C. Anthony Poole (Auckland, New Zealand)

Gorana Rančić (Niš, Serbia)

Christos Stournaras (Heraklion, Greece)

Nikolai Temnyalov (Varna, Bulgaria)

Neşe Tunçel (Eskişehir, Turkey)

Kamen Valchanov (Cambridge, UK)

Andreas Wree (Rostock, Germany)



Medical University, Varna, Bulgaria

Copyright © 2018 by the Bulgarian Society for Cell Biology www.bgscb.org/BMR.htm <http://press.mu-varna.bg/ojs/>

All rights reserved. The Publisher gives consent for individual copies of the articles to be reprinted for personal or internal use only. This consent does not extend to other copyrights, such as copyright for general distribution, creating new collective works, or resale. Inquiries concerning reproduction outside of these terms should be directed to the Editors.

Computer design Svetlana Koeva

Abstracted in CAB Abstracts/Global Health databases, Chemical Abstracts, Excerpta Medica database (EMBASE), Compendex, EMBiology, Elsevier BIOBASE, Index Copernicus International, Index Scholar and Scopus.

BIOMEDICAL REVIEWS

An International Journal of Cell Biology of Disease

Volume 29, 2018

Editor-in-Chief

George N. Chaldakov, MD, PhD, FIACS

Scope and Purpose

Biomedical Reviews (ISSN 1314-1929; online) is an official journal of the Bulgarian Society for Cell Biology published by the Medical University Press, Varna, Bulgaria. The Journal is published annually, and includes state-of-the-science (SOS) Reviews, Research Articles and Dance Round (a form of position papers) focused on disease-oriented molecular cell biology presented in concise form.

Editorial Policy

Contributors to **Reviews** as well as **Dance Rounds** and **Research Articles** are, in general, invited by the Editors and the Editorial Board, but idea proposals for them are welcome. Prospective authors should send a brief summary, citing key references, including their own, to the Editors or a member of the Editorial Board. Submission of full-length articles without prior consultation is not preferred. Manuscripts are peer-reviewed by the Editors, Editorial Board members, and/or external experts before final decisions regarding publication are made. All material in *Biomedical Reviews* represents the opinions of the authors and does not reflect opinions of the Bulgarian Society for Cell Biology, the Medical University, Varna, Bulgaria, the Editors, the Editorial Board, or the institutions with which the authors are affiliated.

Publication of *Biomedical Reviews* is truly a collaborative process. We appreciate the brain-and-heart partnership having with our authors and are committed to further maintaining the excellence of the Journal.

III	Editor's foreword
IV	5 th International Symposium on Adipobiology and Adipopharmacology
VII	In Memoriam
Reviews	
1	Nerve growth factor in brain diseases <i>Stefania Ciafrè, Valentina Carito, Giampiero Ferraguti, Antonio Greco, Massimo Ralli, Paola Tirassa, George N. Chaldakov, Marisa Patrizia Messina, Maria Luisa Attilia, Rosaria Ceccarelli, Luigi Tarani, Mauro Ceccanti, and Marco Fiore (Italy, Bulgaria)</i>
17	Nanoparticles reshape the biomedical industry <i>Parichehr Hassanzadeh, Fatemeh Atyabi, and Rassoul Dinarvand (Iran)</i>
27	Fetal alcohol spectrum disorders in pediatrics fasd and the pediatrician <i>Valentina Carito, Giovanni Parlapiano, Debora Rasio, Roberto Paparella, Valentina Paolucci, Giampiero Ferraguti, Antonio Greco, Massimo Ralli, Simona Pichini, Marco Fiore, Giovanna Coriale, Mauro Ceccanti, Luigi Tarani (Italy)</i>
37	Clinical and genetic approach to the dysmorphic child <i>Luigi Tarani, Ginevra Micangeli, Debora Rasio, Silvia Ottobrino, Natascia Liberati, Diego De Angelis, Valentina Carito, Antonio Greco, Mauro Ceccanti, Marco Fiore (Italy)</i>
47	Interleukin-8 and laryngeal squamous cell carcinoma <i>Michele Grasso, Massimo Ralli, Griselda Agolli, Marco Fiore, Mauro Ceccanti, Paola Tirassa, Marco de Vincentiis, and Antonio Greco (Italy)</i>
57	Y chromosome microdeletions as a cause for male infertility <i>Mariya Levkova, Trifon Chervenkov, and Lyudmila Angelova (Bulgaria)</i>
Clinical Review	
65	Functional outcomes in supracricoid laryngectomy <i>Vittorio D'Aguzzano, Massimo Ralli, Marco Fiore, Mauro Ceccanti, Cinzia Severini, Flavia Flaccadoro, Lucia Longo, Antonio Greco, and Marco de Vincentiis (Italy)</i>
Research Article	
73	Murburn scheme for mitochondrial thermogenesis <i>Kelath Murali Manoj, Daniel Andrew Gideon, and Vivian David Jacob (India)</i>
83	Freezing of sputum as a way to improve the applicability of sputum studies <i>Todor A. Popov, Aleksandar Petlichkovski, Tihomir B. Mustakov, and Tanya Z. Kralimarkova (Bulgaria)</i>
Dance Round	
89	The ubiquitous biochemical logic of murburn concept <i>Kelath Murali Manoj (India)</i>
99	Microglia are not brain macrophages? <i>Marin Zhelezov and Anton B. Tonchev (Bulgaria)</i>
109	RME-based pharmacology: The inhibition of viral entry as therapeutic perspective in viral diseases including aids. hypothesis updated and enlarged <i>George N. Chaldakov and Stanislav Yanev (Bulgaria)</i>
119	Instructions to authors